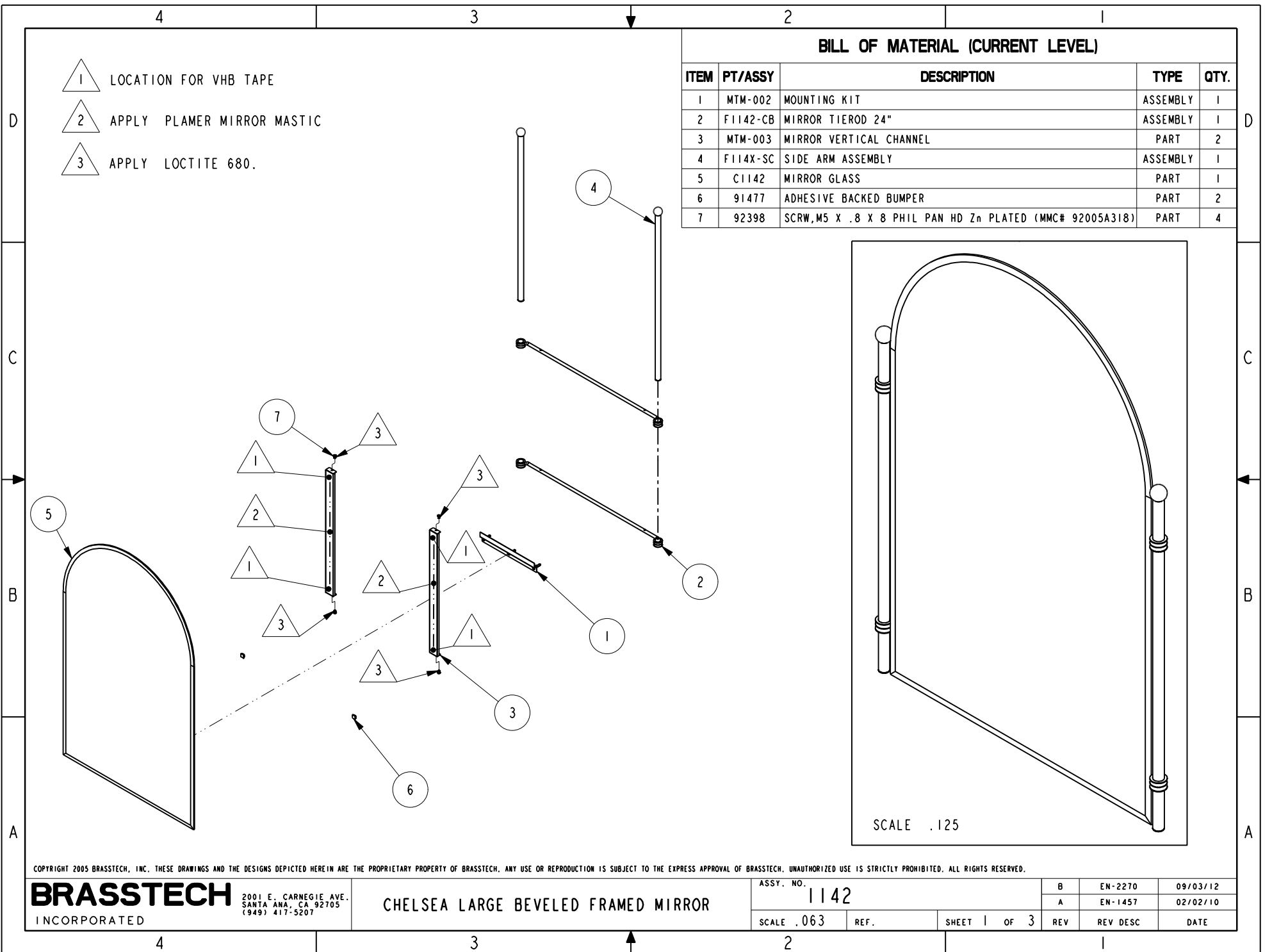


1 LOCATION FOR VHB TAPE

2 APPLY PLAMER MIRROR MASTIC

3 APPLY LOCTITE 680.

BILL OF MATERIAL (CURRENT LEVEL)				
ITEM	PT/ASSY	DESCRIPTION	TYPE	QTY.
1	MTM-002	MOUNTING KIT	ASSEMBLY	1
2	F1142-CB	MIRROR TIEROD 24"	ASSEMBLY	1
3	MTM-003	MIRROR VERTICAL CHANNEL	PART	2
4	F114X-SC	SIDE ARM ASSEMBLY	ASSEMBLY	1
5	C1142	MIRROR GLASS	PART	1
6	91477	ADHESIVE BACKED BUMPER	PART	2
7	92398	SCRW, M5 X .8 X 8 PHIL PAN HD Zn PLATED (MMC# 92005A318)	PART	4



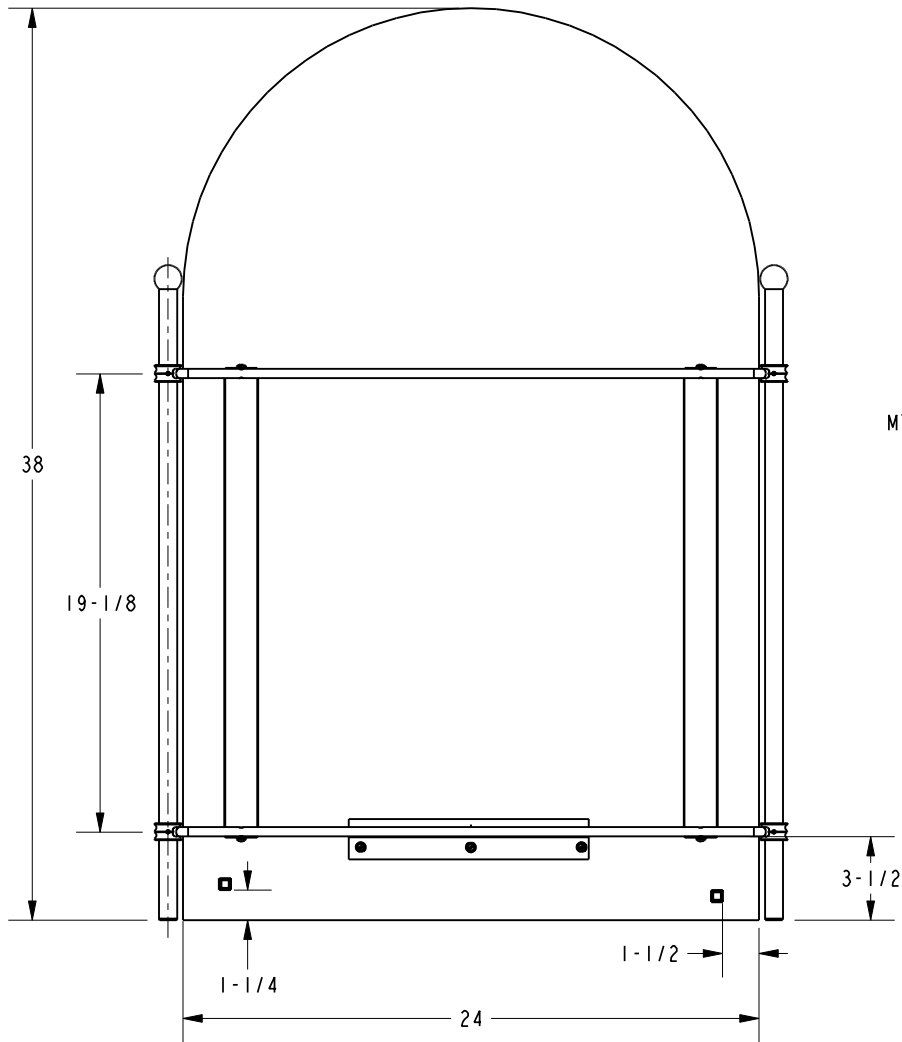
COPYRIGHT 2005 BRASSTECH, INC. THESE DRAWINGS AND THE DESIGNS DEPICTED HEREIN ARE THE PROPRIETARY PROPERTY OF BRASSTECH. ANY USE OR REPRODUCTION IS SUBJECT TO THE EXPRESS APPROVAL OF BRASSTECH. UNAUTHORIZED USE IS STRICTLY PROHIBITED. ALL RIGHTS RESERVED.

**BRASSTECH**  
 INCORPORATED  
 2001 E. CARNEGIE AVE.  
 SANTA ANA, CA 92705  
 (949) 417-5207

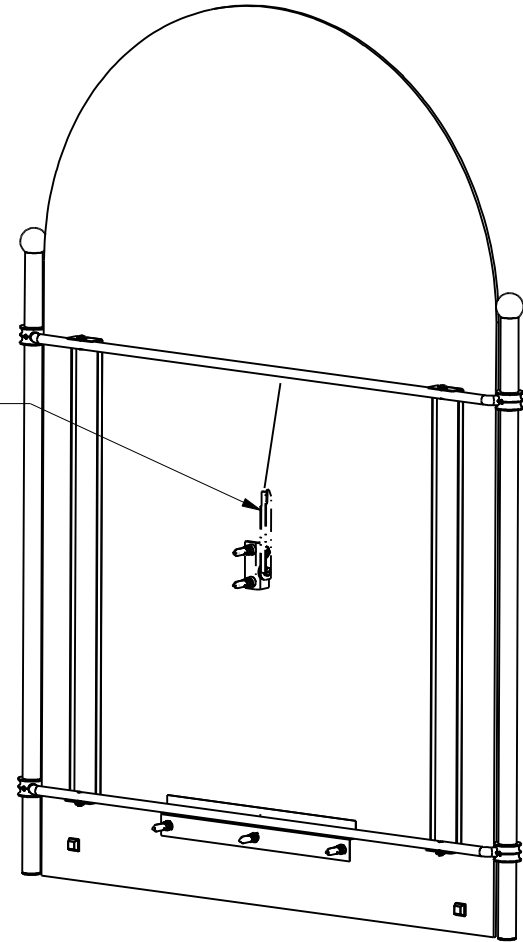
CHELSEA LARGE BEVELED FRAMED MIRROR

ASSY. NO.	1142		B	EN-2270	09/03/12
SCALE .063	REF.	SHEET 1 OF 3	A	EN-1457	02/02/10
			REV	REV DESC	DATE

SPECIFICATION DWG



MTM-009 SOLD SEPARATELY

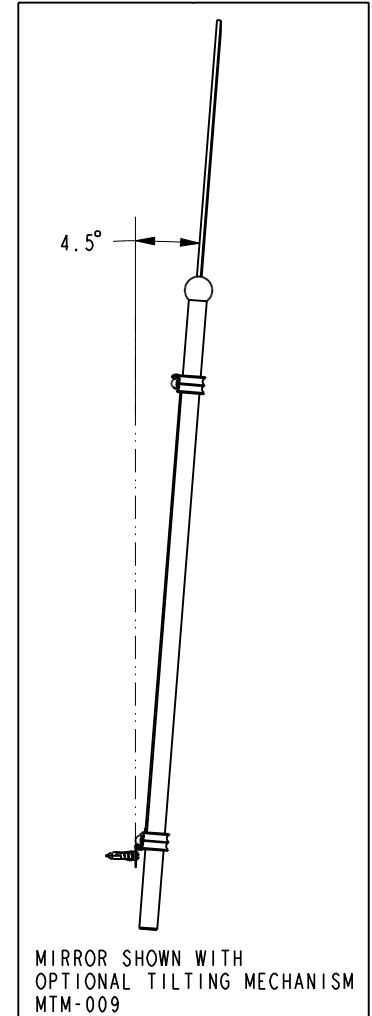
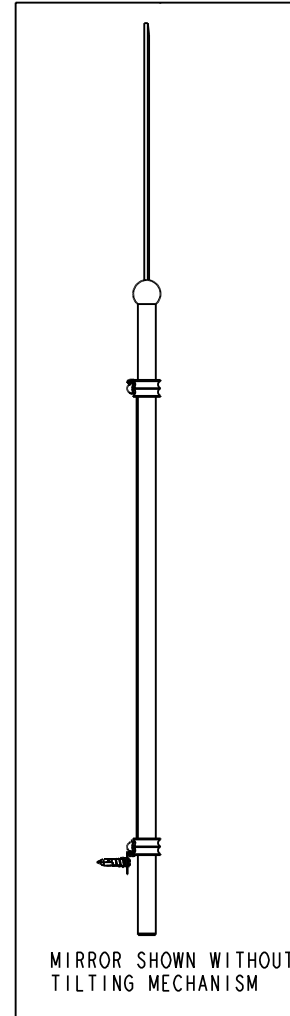
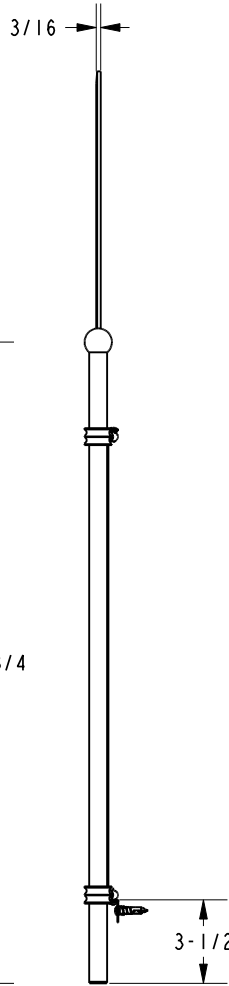
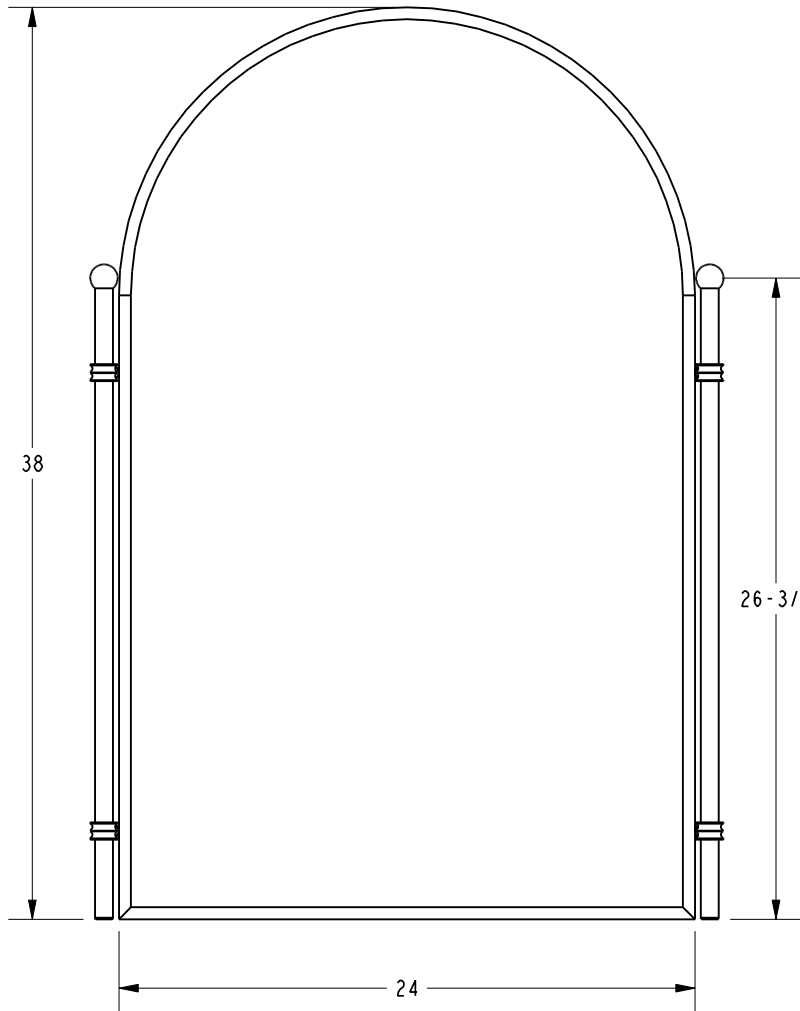
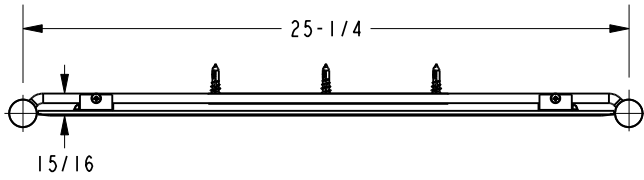


DIMENSIONS ARE IN INCHES AND AN APPROXIMATION OF A TYPICAL INSTALLATION

COPYRIGHT 2005 BRASSTECH, INC. THESE DRAWINGS AND THE DESIGNS DEPICTED HEREIN ARE THE PROPRIETARY PROPERTY OF BRASSTECH. ANY USE OR REPRODUCTION IS SUBJECT TO THE EXPRESS APPROVAL OF BRASSTECH. UNAUTHORIZED USE IS STRICTLY PROHIBITED. ALL RIGHTS RESERVED.

<b>BRASSTECH</b>		2001 CARNEGIE AVE. SANTA ANA, CA 92705 (949) 417-5207	
DWG NO.	1142	REV	B
SCALE	.125	REF.	SHEET 2 OF 3

SPECIFICATION DWG



DIMENSIONS ARE IN INCHES AND AN APPROXIMATION OF A TYPICAL INSTALLATION

COPYRIGHT 2005 BRASSTECH, INC. THESE DRAWINGS AND THE DESIGNS DEPICTED HEREIN ARE THE PROPRIETARY PROPERTY OF BRASSTECH. ANY USE OR REPRODUCTION IS SUBJECT TO THE EXPRESS APPROVAL OF BRASSTECH. UNAUTHORIZED USE IS STRICTLY PROHIBITED. ALL RIGHTS RESERVED.

<b>BRASSTECH</b>		2001 CARNEGIE AVE. SANTA ANA, CA 92705 (949) 417-5207	
DWG NO.	1142	REV	B
SCALE	.125	REF.	SHEET 3 OF 3